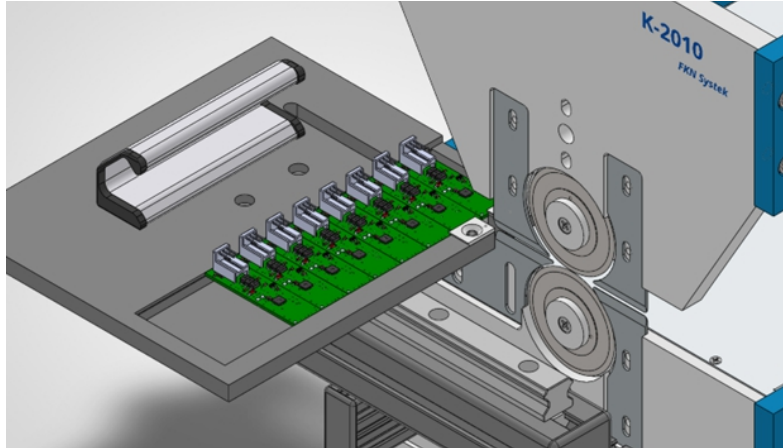


## FKN Systek

115 Pleasant Street  
Millis, MA 02054  
Tel. 508 376 2500  
Fax. 508 376 2505

April 2026

# News Release --- News Release --- News Release



## Depanelizer with Linear Guide Table for Small PCBs

### **Safely singulate small V-Scored PCBs with a linear guided support table.**

Singulating small PCBs with circular blade depanelizers can be a tedious repetitive process which can easily result in board damage due to operator fatigue. Increase process quality and safety by using the K2010 motorized circular blade depanelizer with a support table to separate the V-Scored boards.

The operator places the panel onto the front and back guide rails and brings it forward through the front blade guards to be singulated by two 2.5 " dia. Circular blades. The front blade guards are adjustable so that panel can only be moved forward if the score-line is nested on the lower guide. Two blade guards at the output side of the cutting area prevent operator access to the sharp blades.

The PCB support rail on the left input side of the guide table have an adjustable board stop which can be set to quickly position each panel precisely to enter the cutting plane at the V-Score. Standard support tables have a front and back guide rail which can be universally adjusted to fit a variety of smaller V-Scored PCBs. Customized nesting plates can be designed to your specs for secure board handling during the depaneling process.

**FKN Systek Depaneling Solutions:** Proudly made in the USA, FKN Systek offers customizable tooling and in-line systems. Our durable HSS blades are designed for long life and can be resharpened.

For more information look up our web site at [fknsystek.com](http://fknsystek.com), call or E Mail FKN Systek :

Contact:  
Werner Christ  
FKN Systek  
Tel. 508 376 2500  
E Mail: [FKN@FKNSYSTEK.com](mailto:FKN@FKNSYSTEK.com)